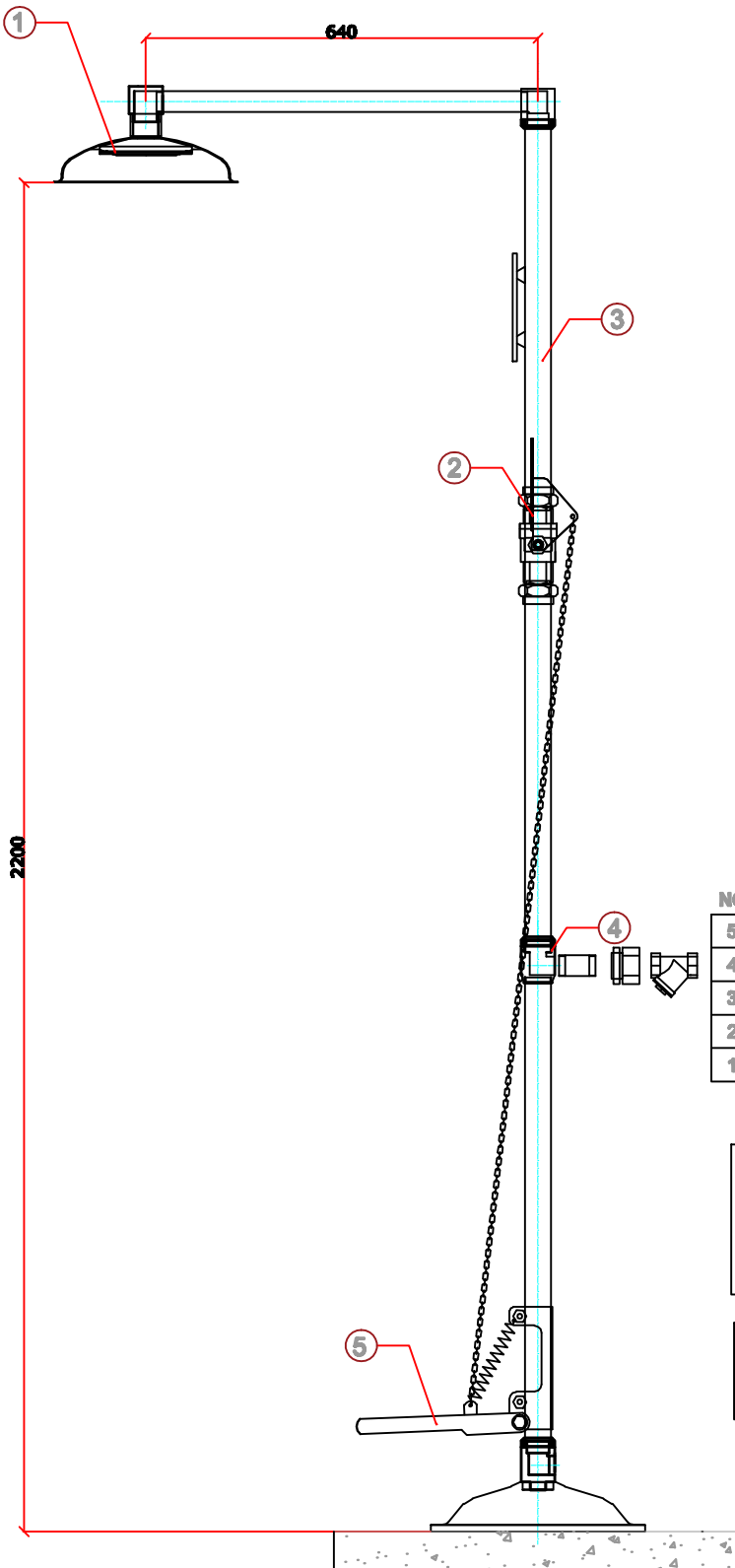


# НАПОЛЬНЫЙ АВАРИЙНЫЙ ДУШ ДЛЯ ТЕЛА С НОЖНЫМ УПРАВЛЕНИЕМ

15022000



NO.	DESCRIPTION	MATERIAL
5	Foot Control for Shower	Stainless Steel
4	Water Inlet 1" (Female)	Stainless Steel
3	Pipes	Stainless Steel
2	Push Handle Control for Eyewash	Stainless Steel
1	Shower head Bowl (Ø300mm)	Stainless Steel

Standarts: EN 15154-1  
 Water Flow: 75 lt / min for Shower  
 Total Weight: 15 kgs  
 Packed Dimensions: 81 x 32 x 22 cm

Static test pressure : 7 bar  
 Min using pressure : 1,4 bar  
 Max using pressure : 2,8 bar

	REV. DATE	DESCRIPTION	DESIGNED	CHECKED	APPROVED	CUSTOMER	
	A FOR INFORMATION <input type="checkbox"/> FOR REVIEW <input type="checkbox"/> FOR APPROVAL <input type="checkbox"/>	FOR RFO/DESIGN <input checked="" type="checkbox"/>	FIRST ISSUE	SS	FA	ST	PRODUCT <b>15022000</b>
STATUS FOR INFORMATION <input type="checkbox"/> FOR REVIEW <input type="checkbox"/> FOR APPROVAL <input type="checkbox"/>	REV. DATE	DESCRIPTION	DESIGNED <input checked="" type="checkbox"/>	CHECKED <input checked="" type="checkbox"/>	APPROVED <input checked="" type="checkbox"/>	SIZE A4	SCALE 1/100
DRAWING NUMBER/DATE: <b>82716-1</b>						SHEET: <b>1</b>	DRAWING NAME: Аварийный душ для тела
OF: <b>1</b>							